

# GRIPPING INNOVATION

## Food Handling Gripper

Easy to clean gripper for product handling in the food zone.

### FEATURES & BENEFITS:

- Designed for direct product contact in the food zone, according to the food industry standard (EN 1672-2)
- All parts are corrosion resistant, non-toxic, non-contaminating, non-porous, non-absorbent and non-reactive
- Stainless steel design resists chemical cleaning procedures
- Optional body made of High Performance Polymer, conform to FDA, for a significantly lighter weight
- Electro-polished exterior with no recessed or inaccessible zones prevents retention of contaminants and simplifies cleaning
- Sealed motion components (IP69K design) for high-pressure and high-temperature daily cleanings
- Any metal/metal contact protected by gasket to obtain a leakproof assembly against bacteria
- Angular gripper design for easier radial sealing of jaws
- Optional security springs for external gripping, in case of air supply failure, in single acting or spring assist mode
- No external fasteners to avoid any foreign matter in food
- Contains special lubricants suitable for food industry
- Long maintenance-free service life

### APPLICATIONS:

- Food zone and splash zone handling of product
- Non-food zone applications
- Other applications requiring a sealed and corrosion resistant gripper

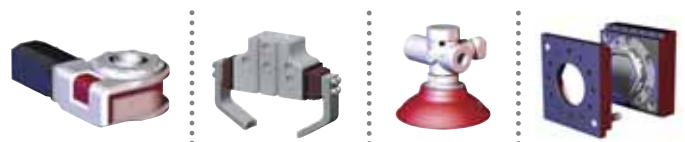


Specifications:		FUA-63M
Torque, Jaws @ 0° (mid-stroke)		
	6 bar w/Springs	32 Nm
	0 bar w/Springs	9 Nm
Total Stroke		70°
Weight	Stainless Steel	1,7 kg
	Polymer	0,8 kg
Pressure w/o Springs		2-7 bar
Pressure w/Springs		3,5-7 bar
Cylinder Bore Ø		63 mm
Displacement		54 cm <sup>3</sup>
Temp. Range		-15° - 80°C



DOVER COMPANY

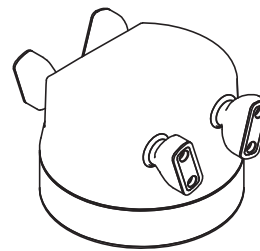
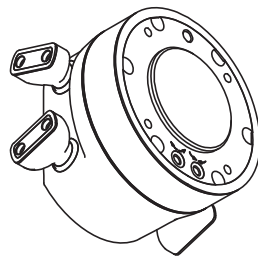
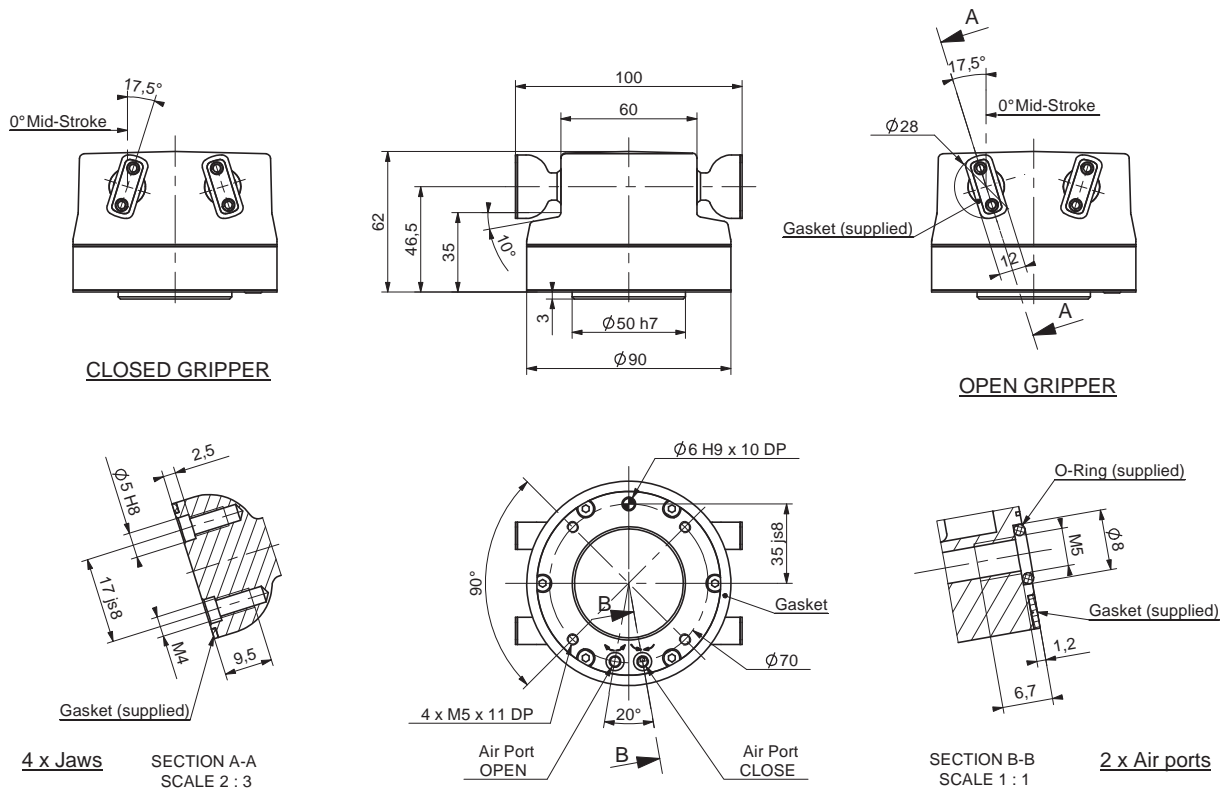
www.destaco.com  
+49(0)6171-705-0



Precisely positioning our customers for productivity.

# FUA-63M- Food Handling Gripper

## Food Universal Angular - Cylinder Bore Ø63



### Optional Features (Leave Blank for Standard)

Size  
**63M**

Material

**LI**

Spring assist

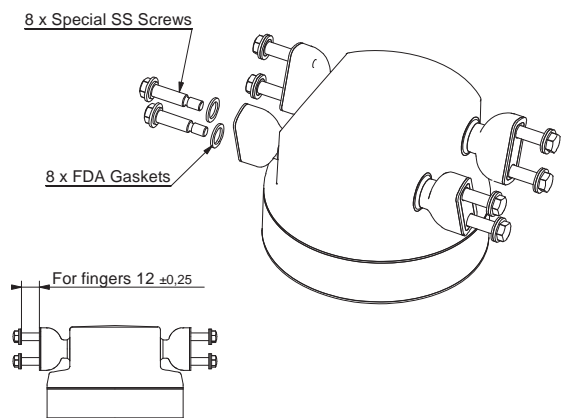
**C**

- LI** Body made of High Performance Polymer
  - Leave Blank. Stainless Steel
- C** Closed
  - Leave Blank. No Spring Option

### Accessories

Fingers Attachment Kit  
(8 x SS Screws & Gaskets) **KVMFUA63**

### KVMFUA63: Fingers Attachment Kit



Other Sizes Planned

Patent Pending