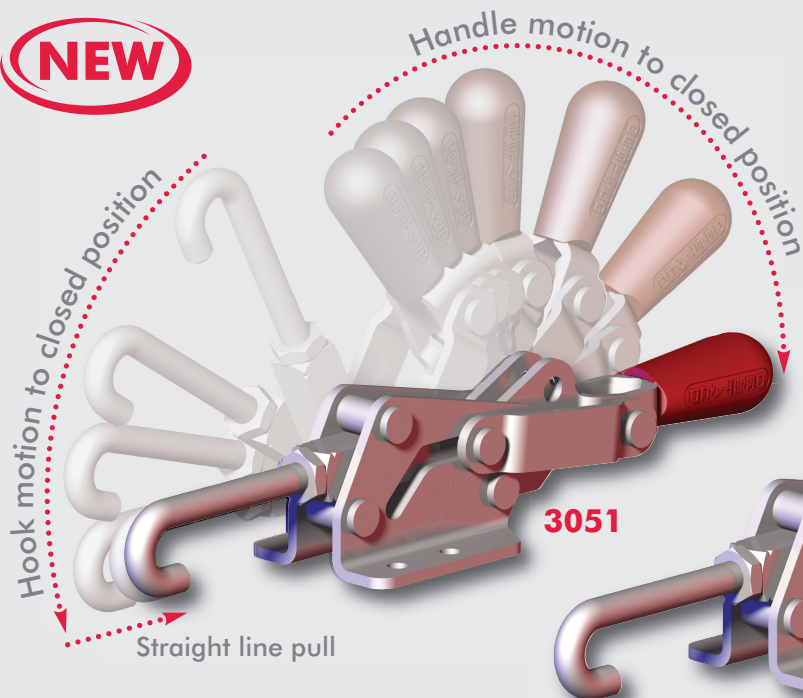


CLAMPING INNOVATION

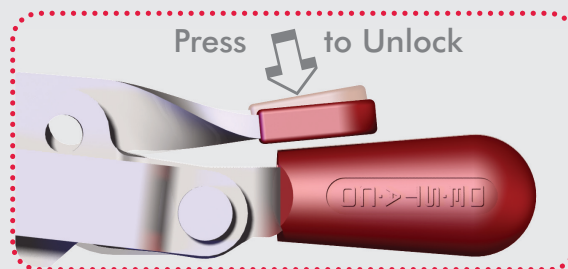
Manual Clamping and Workholding Solutions

DE-STA-CO's Controlled Latch Clamp offers ease of use, over-center control, versatility and safety not offered by typical pull action clamps

NEW



DE-STA-CO® Toggle Lock Plus

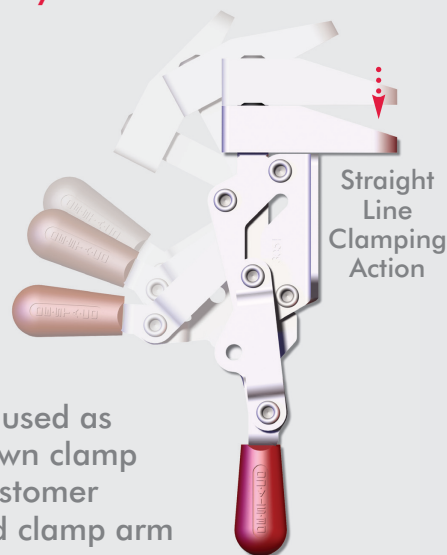


3051-R With
DE-STA-CO® Toggle Lock Plus
US and International Patent Pending

Key Features:

- Safe, single handed operation
- Innovative controlled motion
- Secure toggle locking action
- Simple set-up and adjustment
- Clamp hook/arm moves and stays safely out of the way
- Broad range of applications, including:
 - Assembly checking and welding fixtures
 - Closure devices for containers
 - Latches for molds

Versatility

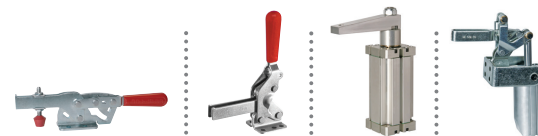


Can be used as hold down clamp with customer supplied clamp arm



A DOVER COMPANY

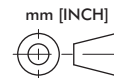
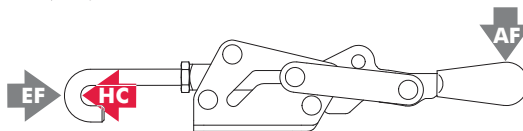
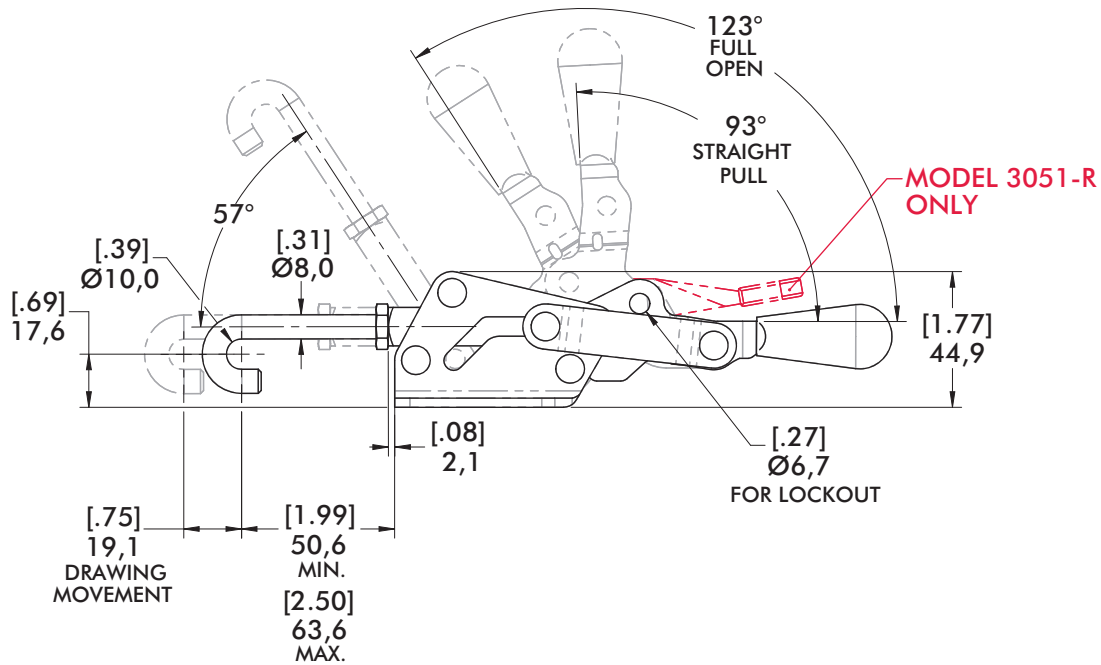
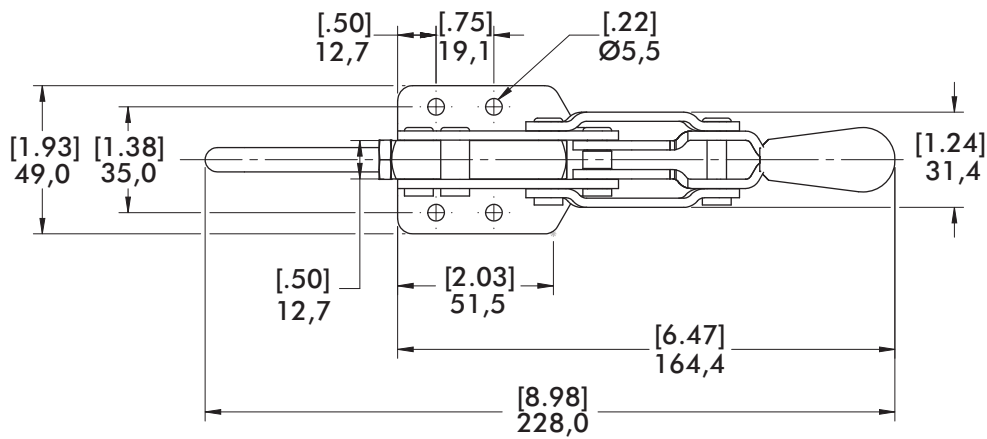
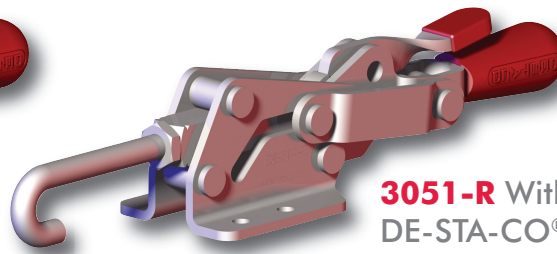
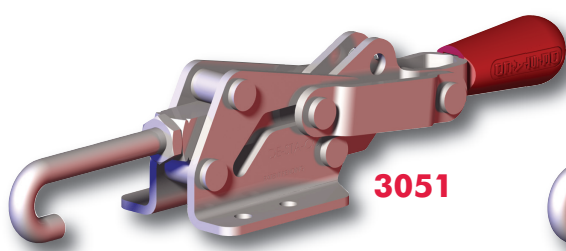
www.destaco.com +49(0)6171-705-0



Precisely positioning our customers for productivity.

3051 Controlled Latch Clamp

3051/3051-R Controlled Latch Clamp



MODEL	HC (Holding Capacity)	UNIT WEIGHT	EF:AF (Exerting:Applied)	DRAWING MOVEMENT	HOOK THREAD	HOOK KIT (Included)
3051	[1500 lbf] 6,7 kN	[1.0 lb] 0,5 kg	12:1	[.75] 19,1	M8 x 1,25	3051208
3051-R						