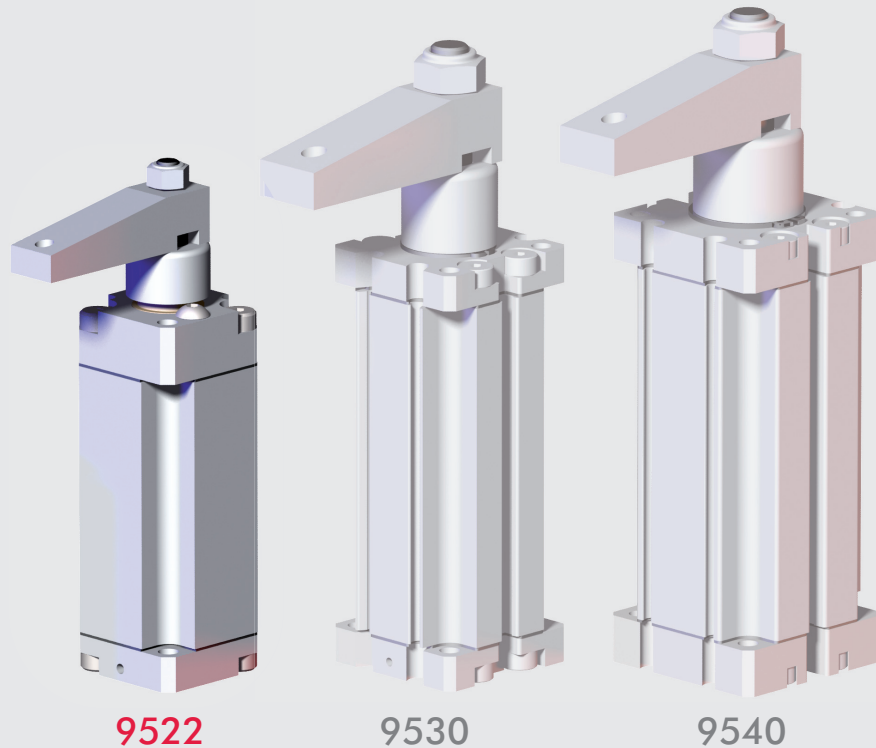


SWING INTO A TIGHT SPOT

9500 Series Pneumatic Swing Clamp

The only **family** of swing clamps to offer a patented movement with a robust arm connection and rod protection ...all in one package.

The family is expanding...



Versatile Arm Connection accepts 90° Slot Style Arm (shown, ordered separately) or 360° Radially Adjustable Pinch-on Style Arm

Fixed Orifice Porting does not require flow controls

Rod Cover Standard

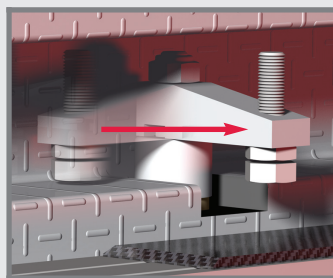
Horizontal or Vertical Mounting

Switch Grooves 9530/9540 either Ø4mm or 6,5 x 5 mm switches (magnet on piston)

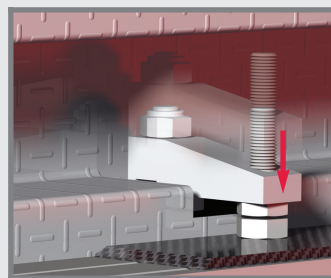
Switch Grooves 9522 Ø4 mm only

No Downward Travel during 90° Swing

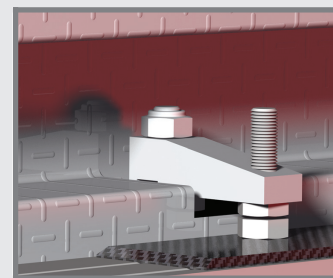
Arm does not move down or up during 90° rotation as shown below, requiring less clearance during arm swing. This allows for operation in restricted or confined work spaces.



90° Lateral swing motion



Straight down clamping



Arm in Clamped Position



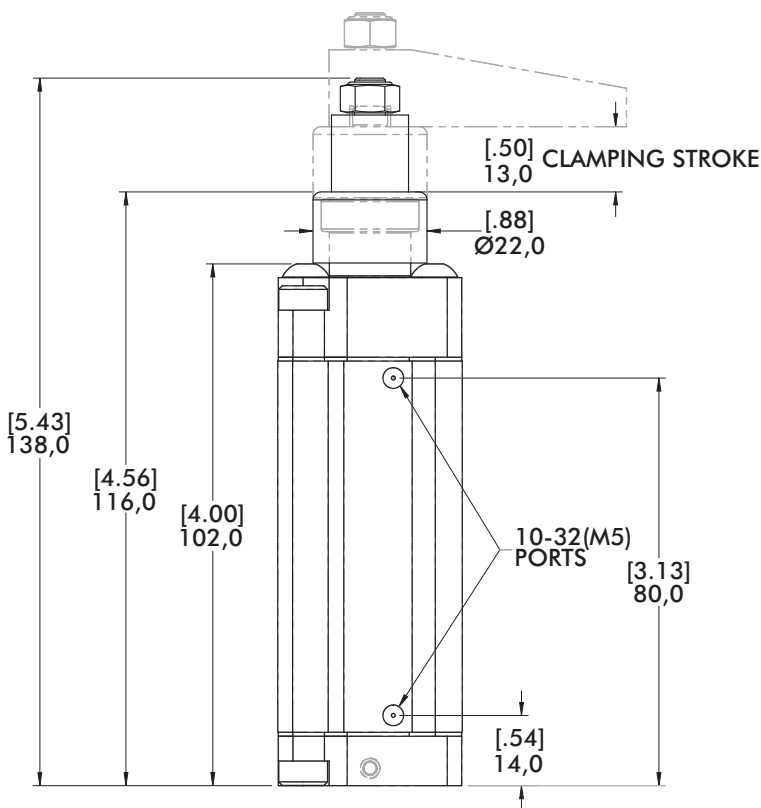
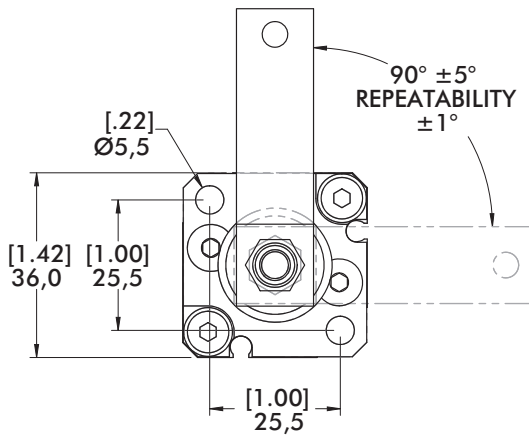
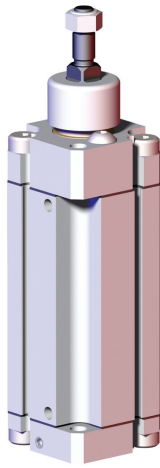
DOVER COMPANY



Precisely positioning our customers for productivity.

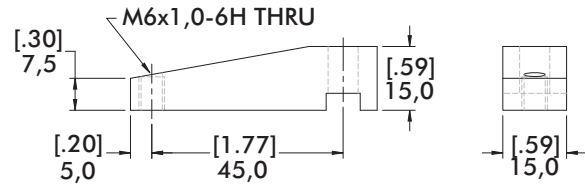
9500 Series Pneumatic Swing Clamp

9522 Dimensions and Technical Information

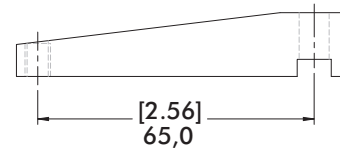


Clamp Arm Options (Ordered Separately)
These clamp arms can be mounted to the piston rod in 90° increments and can be used on both series

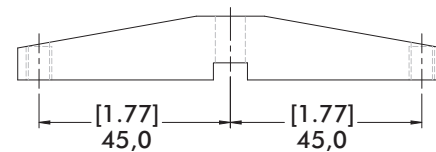
952250 45 mm Arm



952253 65 mm Arm



952254 45 mm "T" Arm



952255 65 mm "T" Arm

